

MINIFLOW 400 EVO

COMPLETELY ELECTRIC FLOW-PACK

Ideal for baked goods, pharmaceuticals and various objects.



DESCRIPTION

The **Miniflow 400** Evo is the new flow wrapping packaging machine by **Minipack-Torre**. Designed to simplify as much as possible maintenance and cleaning operations for the customer. "Mini" stands for "Minipack", but it also recalls its dimensions: in fact, it is a small flow wrapping

minipack@torre S.p.A.

Sede legale - Via Provinciale, 54 - 24044 DALMINE (BG) Italy

P.IVA - C.F.: 01633550163 - Capitale sociale 619.200,00 i.v. - Reg. Imprese di Bergamo 01633550163 - REA n. 224151

machine, compact and versatile

Thanks to the **3 high-performance Brushless** motors and its **7" Touch-Screen panel**, it will guarantee maximum versatility with format changes and therefore extreme simplicity in packaging operations.

Great performances in a small flow wrapping machine

Our mini flow wrap machine can package strapped product, max 180 mm, and can reach 100 packages per minute. With an optimal quality/price ratio, this packaging machine is a union of quality and technology, and it guarantees a high level of reliability.

This small flow pack machine is suitable to pack brioches, sweets, candy, chocolates, pharmaceutical products, various small objects and much more.

The Miniflow 400 packaging machine can be equipped with many optional features.

TECHNICAL FEATURES

Power supply	V	220
Pneumatic supply	Bar	6
Phase	ph	1
Electrical power	kW	2.5
Electric consumption	kWh	2.3
Hourly production	p/h (pph)	Up to 6,000
Sealing Bar	mm	190
MAX product weight	g	500
MAX product height	mm	70
MAX product length	mm	300
Reel Diameter MAX Dimensions	mm	350
MAX Reel Strip Dimensions	mm	420

minipack@-torre S.p.A.

Sede legale - Via Provinciale, 54 - 24044 DALMINE (BG) Italy

P.IVA - C.F.: 01633550163 - Capitale sociale 619.200,00 i.v. - Reg. Imprese di Bergamo 01633550163 - REA n. 224151

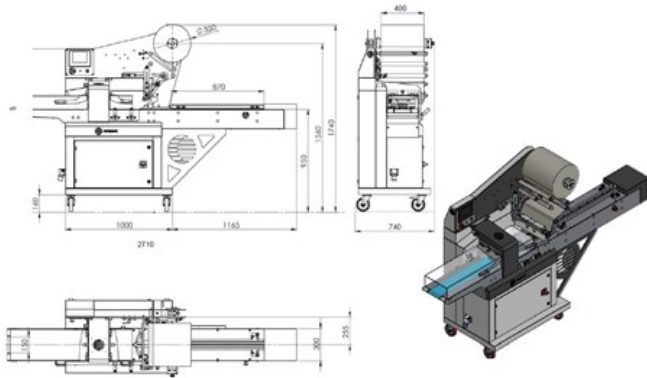


minipack®
THE ORIGINAL PIONEER

Worktop height	mm	800/950
Machine dimensions	mm	2400x800x h.1800
Machine weight	V	220

minipack®-torre shall not be held liable for typos or printing errors in this catalogue. It also reserves the right to make changes to the specified features without prior notice. All trademarks are property of their respective owners and are hereby acknowledged.

TECHNICAL DRAWING



CHARACTERISTICS:

- User-friendly 7" PLC touch screen
- Easy inspection for maintenance and cleaning of roller unit
- Expandable pneumatic shaft for film support
- 3 brushless motors
- Photocell to centre printed film
- 2 pairs of infeed rollers
- Safety housing, with stoppage system in the event of opening
- EC certified safety and management modules
- Motorised product unloading belt with central guide
- Emergency button with immediate interruption of the production cycle
- Inspectable magnetic roller bars
- Sliding surface in AISI 304 stainless steel conforming with EC regulations
- "Crumb catcher" boxes on the infeed belt
- Rotating collectors with integrated brushes

minipack®-torre S.p.A.

Sede legale - Via Provinciale, 54 - 24044 DALMINE (BG) Italy

P.IVA - C.F.: 01633550163 - Capitale sociale 619.200,00 i.v. - Reg. Imprese di Bergamo 01633550163 - REA n. 224151



minipack®
THE ORIGINAL PIONEER

- Parameter and recipe backup via USB port
- Belt handling mechanism to reduce play
- Network connection for assistance via LAN and VNC L cable

minipack®-torre S.p.A.

Sede legale - Via Provinciale, 54 - 24044 DALMINE (BG) Italy

P.IVA - C.F.: 01633550163 - Capitale sociale 619.200,00 i.v. - Reg. Imprese di Bergamo 01633550163 - REA n. 224151